



## Com.X1 & Com.X2 *Intelligent Branch Exchange* **Multi-Tenant and Gated Community Application**

Com.X1 and Com.X2, Intelligent Branch Exchanges, provides a flexible and feature-rich Hybrid-PBX and IP-Gateway solution for the multi-tenant units and gated community markets.

Comma iTA, Intelligent Telephony Adapter, is a flexible and comprehensive telephony interface solution for Asterisk™-based telephony installations.

Far South Networks products help service providers in the semi-private telephony space achieve their service and business goals through their rich feature set, convergence capabilities and competitive pricing.

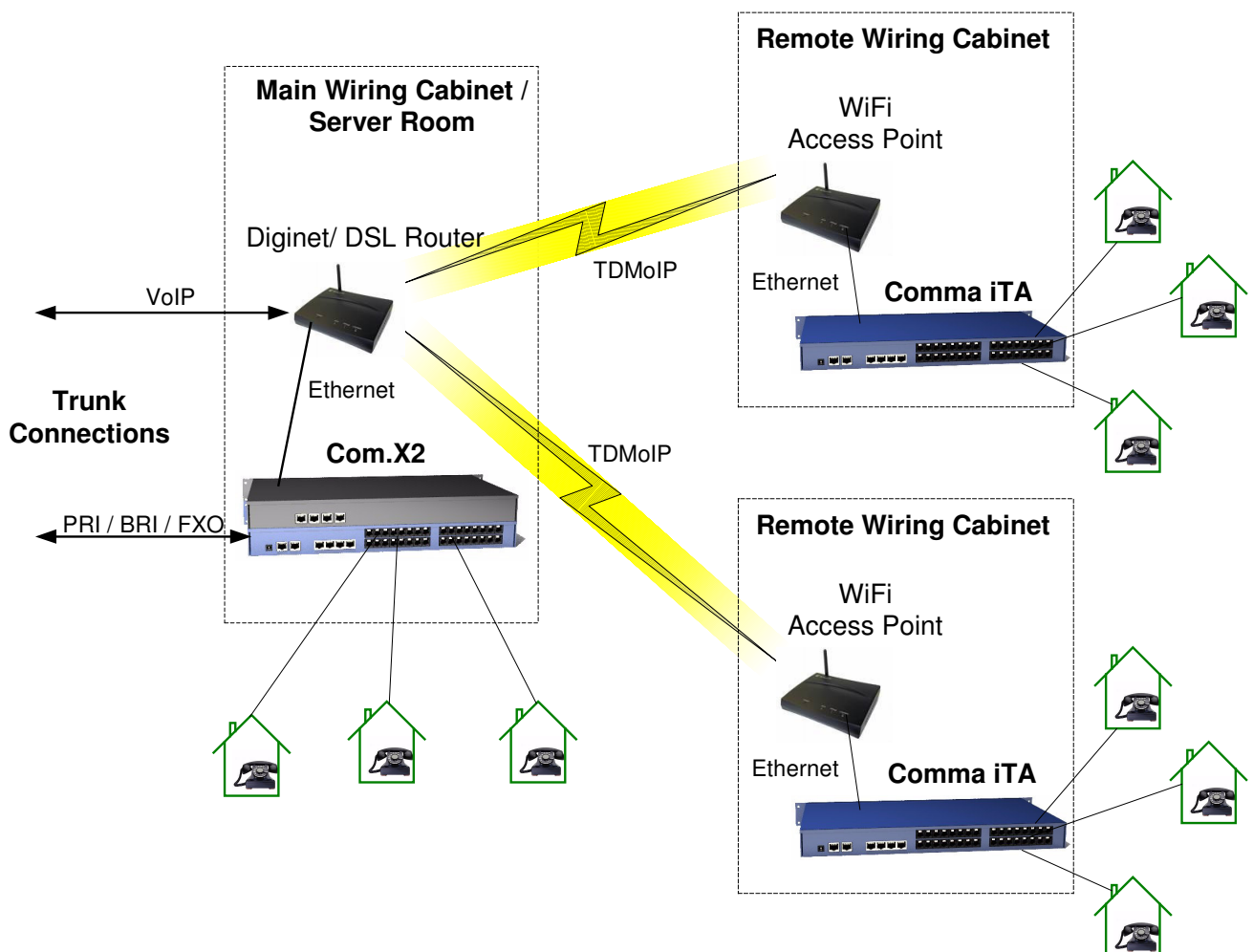
### Converged, Shared Access

On the trunk side, Com.X provides standards-based interfaces to the PSTN via PRI, BRI and/or analogue, along with SIP based VoIP trunking that supports cost-reduced services.

On the subscriber side, a single Com.X provides for hundreds of analogue and/or SIP extensions.

Seamless and distributed platform expansion is achieved via the addition of external Comma iTA's by simple Ethernet connection, to provide additional analogue lines.

Wired LAN, wireless LAN or other wireless Ethernet technology such as WiMAX can be used to expand the system over a larger area. The voice circuits maintain full quality and low latency over the Ethernet interconnects, using TDMoIP circuit-based transport.



---

# Com.X1 & Com.X2 *Intelligent Branch Exchange*

## **Multi-Tenant and Gated Community Application**

---

### **Enhanced Services**

Com.X2 provides telephony service for many hundreds of subscribers per installation, with a full corporate PBX feature set which includes Voice Mail, IVR, Call Detail Records, Conferencing, Music on Hold and much more.

Com.X1 provides full "behind the PBX" or Satellite Office support

A standard set of advanced features can further be enhanced to differentiate your service offering. The inherently open-source nature of the software platform makes customization and extension of the basic system not only possible, but within easy reach.

### **Com.X1 & Com.X2 Features**

Linux and Asterisk-based platform supports application-dependent customization through open interfaces (SIP, PRI) and through the inherently open-source nature of the software platform.

- PSTN connectivity via PRI, BRI, analogue, and optional SS7
- SIP Voice-over-IP supporting G.711, G.722, G.726, G.729, GSM, iLBC, Linear, LPC-10, Speex
- Hardware-based echo cancellation for PSTN connections
- Sophisticated subscriber PBX features enabled in a semi-hosted environment
- GUI web-based management - user friendly, install and configuration "wizard"
- Platform backup and restore to external "devices"
- Online updates from Far South Networks public server (utilizing advanced Debian/Ubuntu based package management)
- Remote inventory & automatic configuration management and monitoring

### **Comma iTA Features**

- 1U rack-mount unit supports high density installations
- Echo cancellation for all channels
- Timing synchronization of multiple units over Ethernet
- 100Base-T Ethernet connection to access/backhaul network carries voice circuits using TDMoIP or TDMoE, preserving full quality and low latency
- T1/E1 PRI, 1 to 5 ports
- FXS and FXO, up to 32 ports
- BRI, up to 8 ports

### **Other application examples**

- Corporate PBX / Call Centre
- Pre-paid voice service provisioning
- TDMoIP and VoIP trunking gateways: Least cost routing implementation
- Rural / USAL telephony services